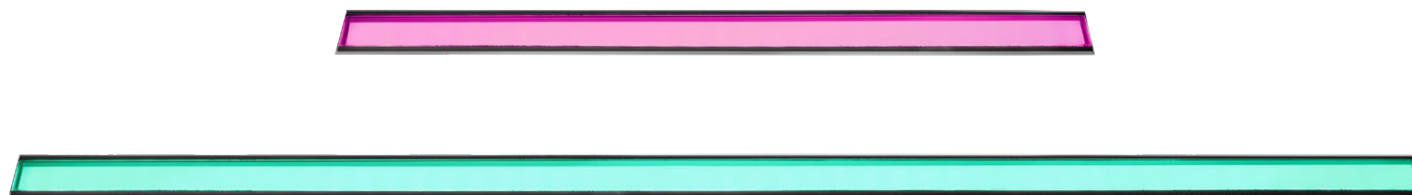




# MOLED 25 50

LINEAR MODULES

Suitable for applications in pedestrian areas, the MOLED series provides micro-shaped linear solutions for pathways signalling, parks and public spaces enhancement, where the IP67 rating, in a seamless flush-mount, robust and stylish module, guarantees enduring exterior performance. Combinations of multiple **MOLED 25** or **50** modules, available with an RGB multichip, white, tunable white or, on request, monochrome versions, can be comfortably set-up with invariable pixel pitch for a uniform visual pattern layout also with angle installations.

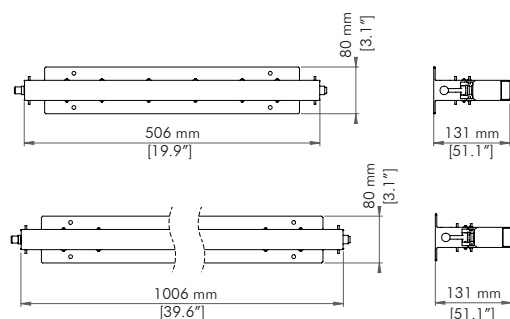


MOLED 25 50

GRIVEND 

# MOLED 25 50

GRIVEND 



PHOTOMETRIC DETAILS AVAILABLE ON OUR WEBSITE

## CODES

AL4369 MOLED 25

AL4370 MOLED 50

OPTICS	LED TYPE	CONTROL SYSTEM
GO Opaline glass	RG RGB	R DMX-RDM
	DW From 2700K to 6500K	S Self-addressing
	CW Cold White 6500K	
	NW Natural White 4000K	
	WW Warm White 3000K	

## NOTES

One Weezerd 1 AL2660 must always be purchased for DMX-RDM version, unless an RDM compatible control is used. More MOLED units can be controlled with one AL2660.

## FEATURES AND OPTIONS



## ACCESSORIES



**AL2121** IP67 START LINE BOX  
**AL2122** IP67 REPOWER BOX



**AL4473** DMX TERMINATOR  
(for RDM versions)



**AL4462**  
ELBOW ARRAY FIXING



**AL2012** 1 m CONNECTION CABLE  
**AL2015** 2 m CONNECTION CABLE  
**AL2017** 3 m CONNECTION CABLE  
**AL2055** 5 m CONNECTION CABLE  
**AL2019** 10 m CONNECTION CABLE



**AL4454** FORMWORK  
END CAP



**AL4450**  
ELECTRONIC DRIVER



**AL4453**  
LINE END CAP



**AL2660**  
WEEZERD 1

## TECHNICAL SPECIFICATIONS

MOLED 25 and 50 are in-ground LED profiles, whose IP67 AISI 316L stainless steel housing hosts either 50 or 100 high brightness RGB, Dynamic White, Cold White, Natural White, Warm White or, on request, monochrome power LEDs. Dimensions: 506/1006 mm x 80 mm x 131 mm. Available in DMX mode, they also feature RFU (Remote firmware update) and RDM (Remote device management) functions. Self-addressing control available on request. One Weezerd 1 AL2660 must always be purchased in order to access DMX addressing and channels configuration for DMX/RDM versions, unless an RDM compatible control is used. Power supply: 48Vdc. Power Consumption: 18 W/m. Power chain max: 16 MOLED 25 with 240W power supply (AL4450). 8 MOLED 50 with 240W power supply (AL4450). An Electrical Class III appliance, it also features integrated electronic thermal protection management. Operating temperature: -40°C to 50°C (-40°F to 122°F).

DIGITAL CONTROL SYSTEM SPECIFICATIONS AND CONFIGURATIONS AVAILABLE ON OUR WEBSITE





Typical product installation